

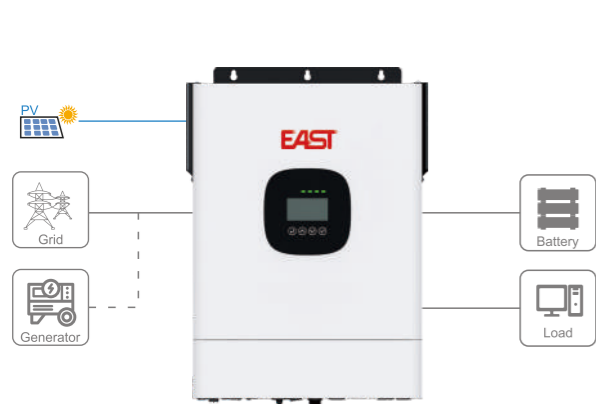
Off-Grid Inverter GF3K24L/GF5K48L

Single phase

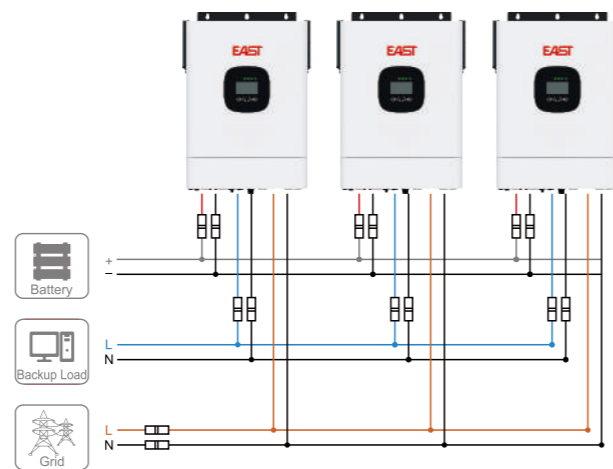


- Flexible setting of multiple working modes according to preferences
- Real time remote monitoring system via WiFi module, easy operation and maintenance
- Graphical LCD and keypad design, user-friendly operation interface
- High charge/discharge efficiency, compatible with lithium battery and lead-acid battery

Typical application



Parallel application



Inverter specification

MODEL	GF3K24L	GF5K48L
Rated power	3000VA/3000W	5000VA/5000W
Parallel function	No	Yes, 6 units max
AC input		
Rated input voltage	120VAC	
Input voltage range	90~140VAC	
Rated input frequency	50/60Hz self-adapting	
Input frequency range	40~65Hz	
Rated input current	36A	61.33A
Max. input current	40A	80A
AC output		
Rated AC output voltage	120VAC	
Output settable voltage	100V/110V/120V	
Output settable frequency	50Hz/60Hz	
Rated AC output current	25.00A	41.67A
Overload capacity	60s@105%~110% rated load; 10s@110%~150% rated load; 5s@150%~180% rated load; 300ms@>180% rated load;	
THDv	<5%, linear load; <10%, non-linear load	
Efficiency(peak value)	93%	
Surge power	6000VA, 5 cycles	10000VA, 5 cycles
Switching time	10ms(Typical)	
Battery		
Battery type	Lead-acid battery/lithium battery	
Rated voltage	24VDC	48VDC
Charging voltage	27VDC(default), 24~29.2VDC settable	54VDC(default), 48~58.4VDC settable
Overcharge protection voltage	30.2VDC	60.5VDC
Rated discharge current	130A	113.7A
PV/AC charging		
PV charging	MPPT	
Max. PV plate power	4000W	6000W
Max. PV plate open circuit voltage	450VDC	
MPPT operation range voltage	120~430VDC	
Max. PV input current	18A	27A
Max. PV charging current	100A	
Max. AC charging current	100A	
Max. battery charging current	100A	
Others		
Dimension(W×D×H)(mm)	322×122×390	332×142×420
Net weight(kg)	9	12
Operating environment	-10°C~50°C	
IP rating	IP20	
Protections	Input over/under voltage protection, input over/under frequency protection, output overload, output short-circuit, radiator overtemperature protection, fan fault detection etc.	
Communication interfaces	USB/RS485, dry contact, WiFi(optional)	