

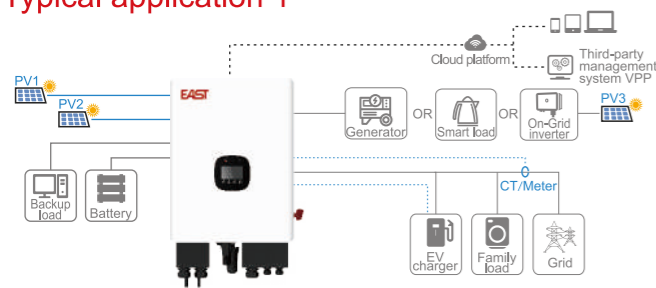
Residential Hybrid Inverter EAHI10-12KSL

Single phase

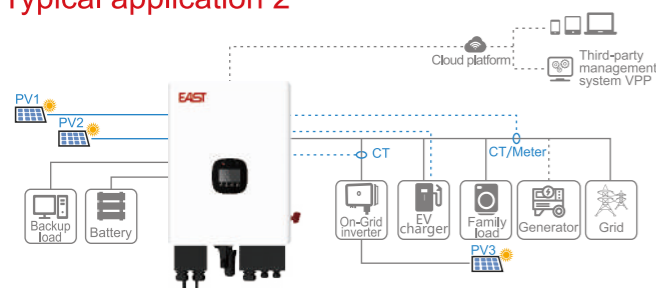


- Supports PV inverter, generators, and microgrid inputs, suitable for new and modified photovoltaic and microgrid systems
- Supports multiple inverters with EPS output in parallel, and can be expanded to small industrial and commercial applications
- Support RSD and AFCI optional configurations to provide safer protection for the system
- Mains and PV input power oversized at a ratio of 1.5, resulting in a more stable system operation

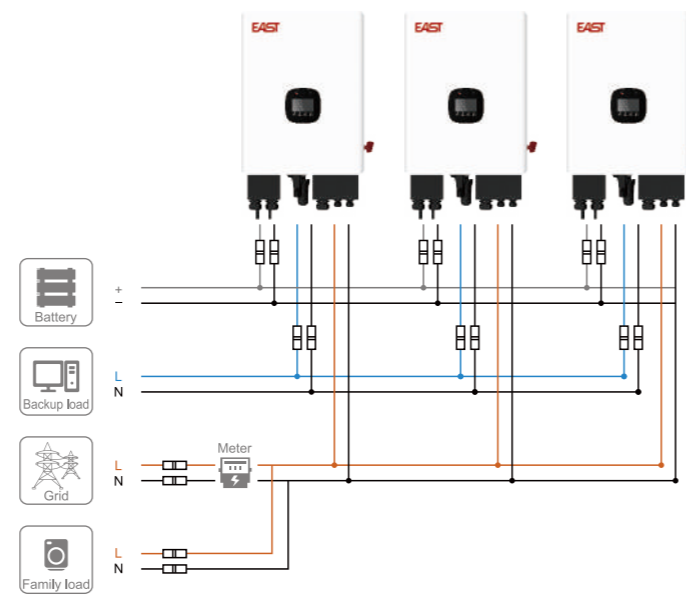
Typical application 1



Typical application 2



Parallel application



Hybrid inverter specification

MODEL	EAHI10KSL	EAHI12KSL
PV input		
Max. input power	18kW	18kW
Max. open-circuit voltage		550Vdc
Rated input voltage		360Vdc
Start-up voltage		150Vdc
Min. operating voltage		100Vdc
MPPT voltage range		100~540Vdc
Full power MPPT voltage range		300V~500V
Max. input current per MPPT		30A/30A
Max. short-circuit current per MPPT		40A/40A
MPPT quantity		2
Number of input strings per MPPT		2/2
Battery input		
Battery type		Li-ion battery/Lead acid battery
Voltage range		42~58Vdc
Max. charge/discharge current	180A/180A	250A/250A
AC input and output(grid)		
Max. apparent power of grid	15kVA	18kVA
Max. input current	68.2A	81.8A
Input voltage range		184~276Vac
Input frequency range		50±5Hz
Rated output power	10kW	12kW
Max. output apparent power	10kVA	12kVA
Rated output voltage		1/N/PE, 220/230Vac
Rated output frequency		50Hz
Rated output current	45.5A/43.5A	54.5A/52.2A
Max. output current	45.5A	54.5A
Power factor		>0.99(0.8 leading~0.8 lagging)
THDi		≤3%(@ rated power)
Generator input		
Max. input power	10kW	12kW
Max. input current	45.5A	54.5A
AC output(back-up)		
Rated output power	10kW	12kW
Max. apparent power	10kVA	12kVA
Rated output voltage		1/N/PE, 220Vac/230Vac
Rated output frequency		50Hz
Rated output current	45.5A/43.5A	54.5A/52.2A
Max. output current	45.5A	54.5A
THDv		≤3%(linear load)
Switching time		≤20ms
Efficiency		
Max. efficiency		97.8%
MPPT efficiency		99.9%
Protections		
Protections	Over/under voltage, over/under-frequency, overload, output short-circuit, over temperature, residual current monitoring unit, output over-current, insulation resistance detection, anti-islanding, surge protection	
Surge protection	DC Type II/AC Type II	
Others		
Dimensions(W×H×D)(mm)	450x600x270	
Weight(kg)	45	
Topology	High frequency isolation(for battery)	
IP rating	IP66	
Operating temperature	-25°C~+60°C	
Cooling mode	Smart cooling	
Altitude	3000m	
Noise level at 1m	≤55dB	
Installation method	Wall-mounted	
Standards		
Safety regulation	IEC/EN 62109-1/-2, AS62109	
EMC	EN 61000-6-1/-2/-3/-4	
Grid connection	NRS097-2-1:2017	